



KONANlabs KVC-MLT series

Introduction:

LCD Motorized Lift system is designed for advanced conference system. When ordinary meeting, the LCD monitors are inside the LCD Lift to keep the tabletop even and neat; when multimedia meeting, the LCD monitor can be lifted up separately, grouply or all display the multimedia information including meeting content, information hint and picture information, ect. It is widely used for video conference system, TV conference system, and financial analyzing system and so on.

The product adopts synchronous orbit lifting principle. It runs smoothly, quietly, and provided with the protection function f the LCD monitors by cutting the power off automatically.

The machine is controlled by three motors: one controls the angle adjustment of the monitor. The panel switch adopts the durable and excellent material's nice-looking film switch.

The product support RS-232 communication protocols. It can be distantly controlled by central control. It supports wireless connection too, possessing the function of organizing the monitors into groups freely.

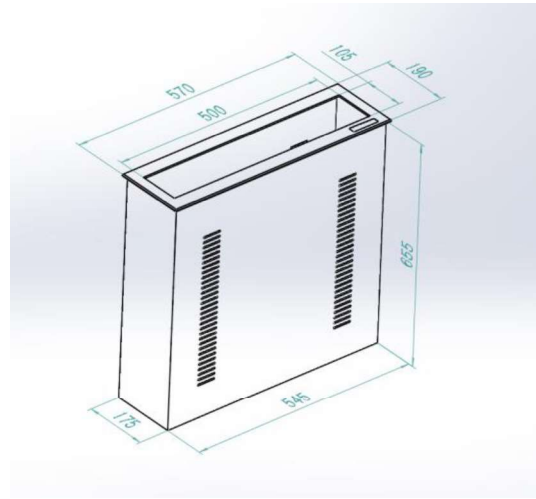
Images shows:



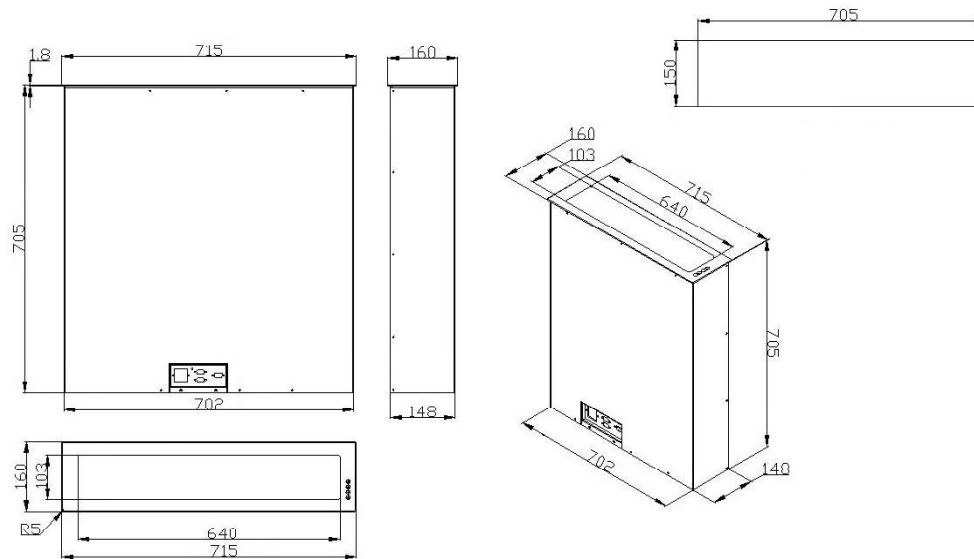
Detail Parameter:

Item Model	KVC-LMT2760
Style	LCD lift without monitor
Match monitor size	27 inch
Panel size	715*160*1.8mm
Box size	702*148*705mm
Panel thickness	1.8mm
Packing size	800*220*760mm
Voltage	110V,220V,240V
Available Monitor Space	(L)540*(D)105mm
Interface	VGA/HDMI +USB+Nework+ RS232 I/O
Power	20~25W
Pitch angle	45~60°
Color	Black/ Silver
Remote distance	10m
Material	Aluminum alloy
Control Way	Touch Switch/Remote Control/RS232 control
Running Way	Tube motor with rack driving
Protection way	tank chain for cable management& protection
Power Protection way	Monitor turn off automatically

Detail Drawing shows:



KVC-MLT1960



KVC-MLT2760

Feature:

- 1, The panel of LCD lift is aluminum alloy, with aluminum wire drawing process on surface.
- 2, The Monitor Lift adopts synchronous orbit lifting principle.
- 3, Desktop Vertical Monitor Lift works smoothly and quietly. Low noise which less than 30db.
- 4, LCD Screen Lift provides protecting function of LCD monitors by cutting the electricity off automatically.
- 5, LCD monitor Lift would be adjustable elevation angle of LCD monitor for protecting your eyes from the direct light.
- 6, Tabletop Monitor Lift is controlled by two big AC motors. One controls opening and closing the panel of LCD monitor Lift; one controls lifting the monitor up and down and adjust the angles of the monitor form 45 to 60 degree.
- 7, Control system: Touch Switch on LCD motorized Lift panel, RF remote control, RS232 central control.

Successful Project:

